

# PC15CP PUMP CONTROLLER

---

## Operation / Maintenance Manual

# CONTENTS

---

<b>1</b>	<b>PC15CP INSTALLATION .....</b>	<b>3</b>
1.1	PC15CP OVERVIEW .....	3
1.2	PC15CP INSTALLATION .....	3
1.3	PC15CP UTILITIES / HOOK-UP .....	4
1.4	PC15CP CONTROLLER OPERATION .....	5
1.4.a	Turning Pump On and Off .....	5
<b>2</b>	<b>CONTACT INFORMATION .....</b>	<b>6</b>
2.1	GENERAL CONTACT INFORMATION .....	6
2.2	TECHNICAL SUPPORT .....	6
2.3	REGIONAL REPRESENTATIVES .....	6

# 1 PC15CP INSTALLATION

## 1.1 PC15CP OVERVIEW

The PC15CP Pump Controller is designed to operate Trebor's Purus CP pump. Cross-phase timing results in overlapping pump strokes which produces a near pulse-less pump output.

## 1.2 PC15CP INSTALLATION

The PC15CP pump controller can be installed in any orientation. Pump controller mounts using two 1/4" (6mm) bolts and should be mounted above the level of the fluid feeding the pump. Allow clearance for tubing connectors.

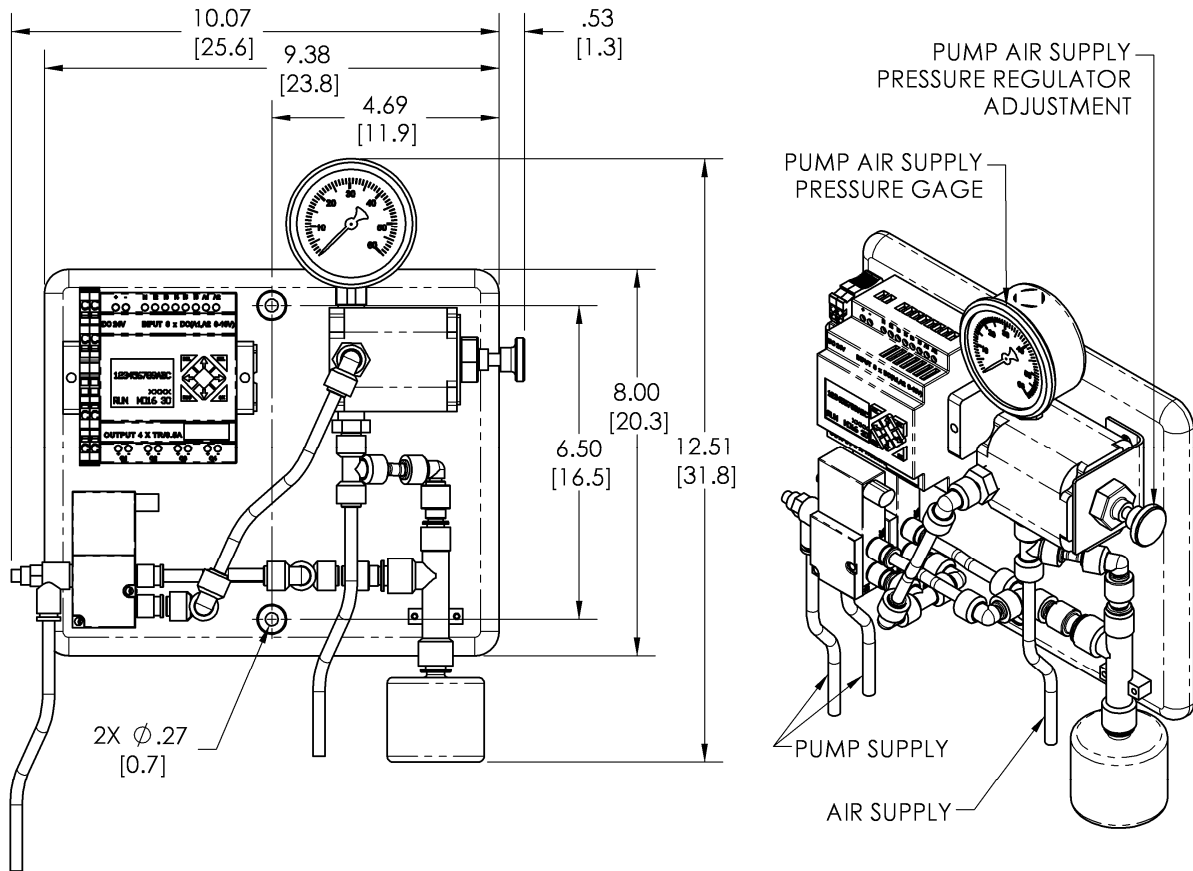


Figure 1-1 Dimension (in / [mm])

### 1.3 PC15CP UTILITIES / HOOK-UP

<u>Utility</u>	<u>Pump</u>
<b>Air Inlet:</b>	<ul style="list-style-type: none"> <li>• 1/4" Diameter (6mm) supply tube.</li> </ul>
<b>Air Supply:</b>	<ul style="list-style-type: none"> <li>• 80±5 PSIG (.55±.03 MPa), clean dry air or inert gas</li> </ul>
<b>Power</b>	<ul style="list-style-type: none"> <li>• 24VDC - 500mA</li> </ul>
<b>Controller Weight:</b>	<ul style="list-style-type: none"> <li>• 4.4 lbs (2.0 Kg)</li> </ul>

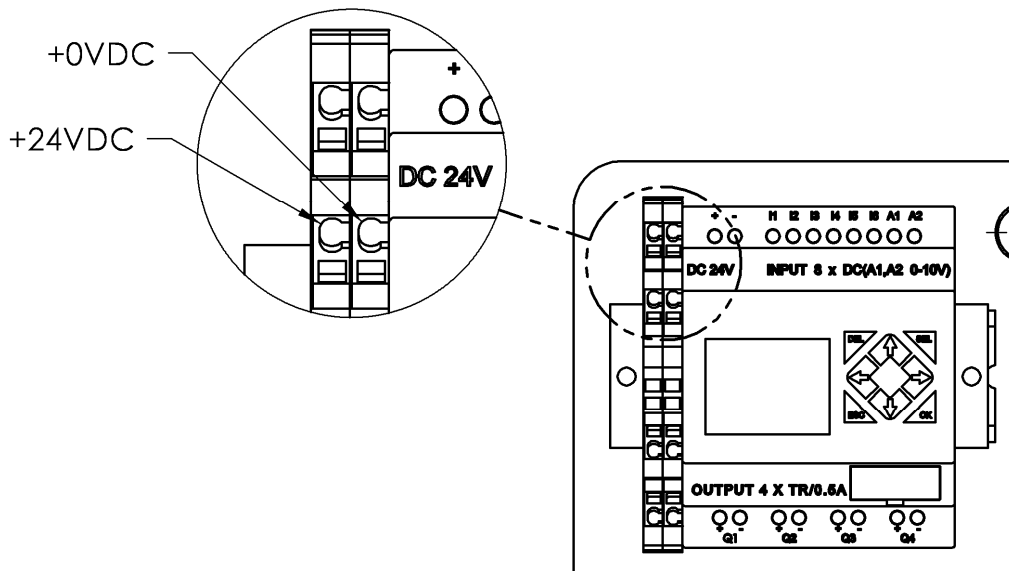
**ATTENTION:** Air supplied to the PC15CP pump controller must be regulated to 80±5 PSIG. A secondary regulator controls pump air supply pressure.

- Air supply connections between the pump and the pump controller are required.

**NOTE:** 3/8" tubing or larger is required for distances exceeding 3 meters between the pump and the pump controller.

- 24VDC is required to operate the pump controller.
  - Terminal blocks are insulation displacement type. Insert 18 gage wires into the indicated location and push down lever to complete connection, see Figure 1-2.

**NOTE:** Follow local wiring codes and applicable wiring standards to insure proper power and over-current protection.



**Figure 1-2: 24VDC Connection**

## 1.4 PC15CP CONTROLLER OPERATION

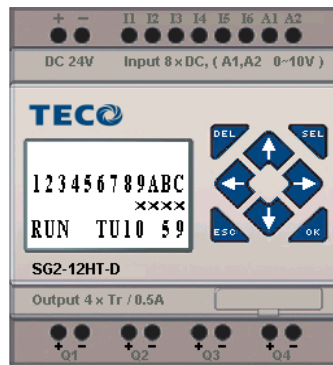
The controller is operated by using the buttons located on the PLC, see Table 1-1.

**Table 1-1: PLC Buttons**

Button	Action from “Home Page”	Action from “Menu Pages”
←	Scroll through Menu pages	Go to Home page
→	Enables/Disables controller cycling	Navigate between Menu pages
↑	Increases pump cycle rate on Home page	Increase values
↓	Decreases pump cycle rate on Home page	Decrease values

### 1.4.a Turning Pump On and Off

From the Home Page, pressing the RIGHT arrow key (→) will start and stop the cycling of the pump controller. When cycling, a cursor will oscillate under positions “1” & “2” (Error! Reference source not found.3).



**Figure 1-3: Controller Cycling**

## 2 CONTACT INFORMATION

---

### 2.1 GENERAL CONTACT INFORMATION

Web: [www.idex-hs.com](http://www.idex-hs.com)  
Phone Number: (801) 561-0303  
Toll Free Number: (800) 669-1303  
Fax Number: (801) 255-2312  
Email: [treborinfo@idexcorp.com](mailto:treborinfo@idexcorp.com)  
[treborsales@idexcorp.com](mailto:treborsales@idexcorp.com)  
Address: Trebor International  
8100 South 1300 West  
West Jordan, Utah 84088 U.S.A.

### 2.2 TECHNICAL SUPPORT

Email: [treborservice@idexcorp.com](mailto:treborservice@idexcorp.com)  
Phone Number: (801) 244-6156

### 2.3 REGIONAL REPRESENTATIVES

Web: [www.idex-hs.com/about/distributors/trebor\\_distributors.aspx](http://www.idex-hs.com/about/distributors/trebor_distributors.aspx)