




SS85

Surge Suppressor

Operation / Maintenance Manual



CONTENTS

| | | |
|----------|---------------------------------------------------------------------------------------------------------|----------|
| 1 | INSTALLATION | 3 |
| 1.1 | UNPACKING | 3 |
| 1.2 | LOCATING / MOUNTING SURGE..... | 3 |
| 1.2.a | Mounted..... | 3 |
| 1.2.b | Inline | 4 |
| 1.3 | SPECIFICATIONS..... | 5 |
| 2 | SPARE PARTS | 6 |
| 2.1 | PARTS ILLUSTRATION..... | 6 |
| 2.2 | PARTS LIST | 7 |
| 3 | WARRANTY  | 8 |

1 INSTALLATION

1.1 UNPACKING

After unpacking, the surge suppressor should be checked for any damage that may have occurred during shipment. Damage should be reported to the carrier immediately.

The following items should be included within the shipping container:

| <u>Qty</u> | <u>Item</u> | <u>Description</u> |
|------------|-------------|----------------------------------------------------------------|
| 1 | SS85 | SS85 Surge Suppressor (assembly including seal and reducer) |
| 1 | MSS85 | Operation/Maintenance Manual |
| 1 | ** | Seal, Port |

**Dependent upon type of pump option selected.

1.2 LOCATING / MOUNTING SURGE

- Remove port plug from pump.
- Install new port seal.
- Hand tighten surge suppressor into port. **Do not** over tighten.

ATTENTION: Over-tightening adapter into pump will result in pump damage.

When using the Surge Suppressor in a mounting tee, the suppressor chamber should be oriented with the threads down. (See Section 2.1.)

1.2.a Mounted

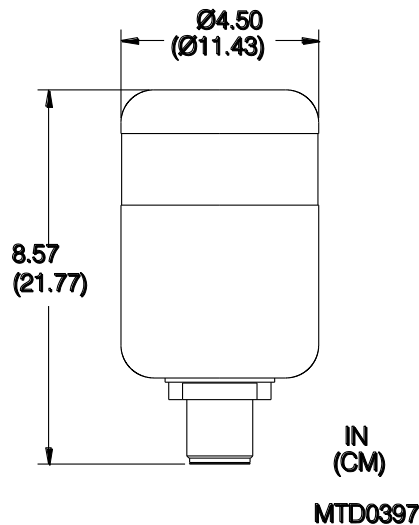
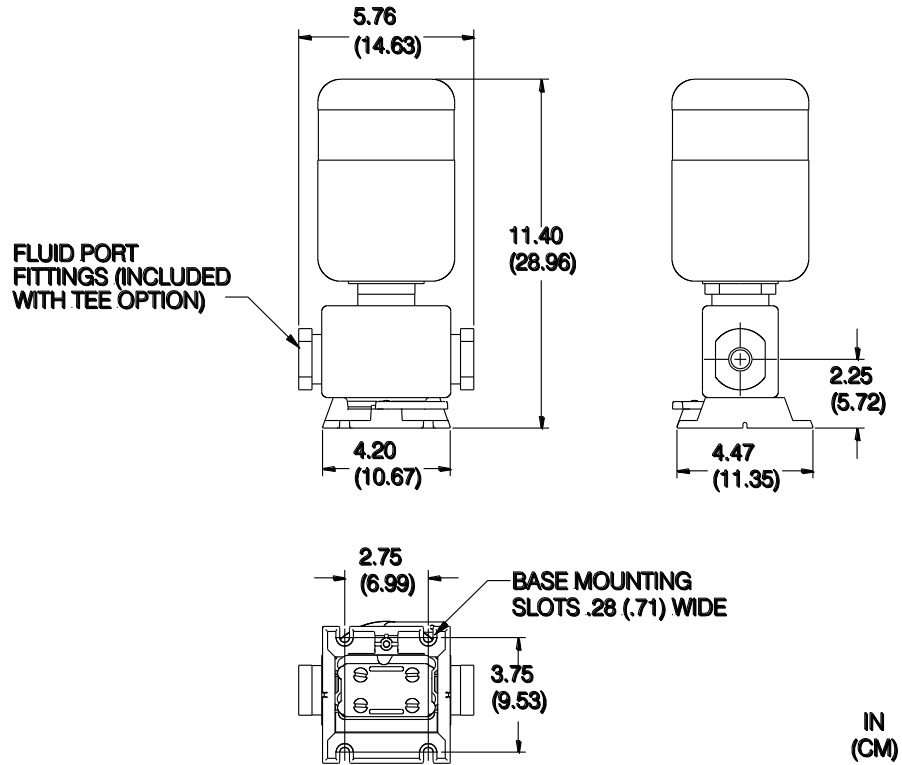


Figure 1-1

| <u>Pump</u> | <u>Assembled Height: IN (CM)</u> |
|-------------|----------------------------------|
| MAGNUM 610 | 14.82 (37.65) |
| MEGA 960 | 17.12 (43.49) |
| MAXIM 25 | 15.32 (38.91) |
| MAXIM 50 | 17.12 (43.49) |
| MAGNUM 620 | 14.97 (38.02) |
| MEGA 120 | 17.12 (43.49) |

1.2.b Inline



MTD0398

Figure 1-2

| <u>Assembled Height: IN (CM)</u> |
|----------------------------------|
| 11.41 (28.99) |

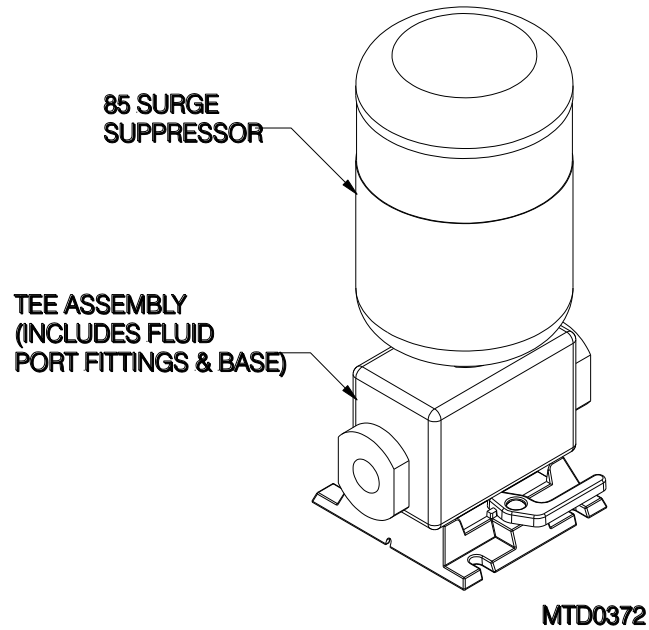


Figure 1-3

Available Options

Group, Tee, 3/4" Flare

Group, Tee, 1" NPT

Group, Tee, 1" Flare

1.3 SPECIFICATIONS

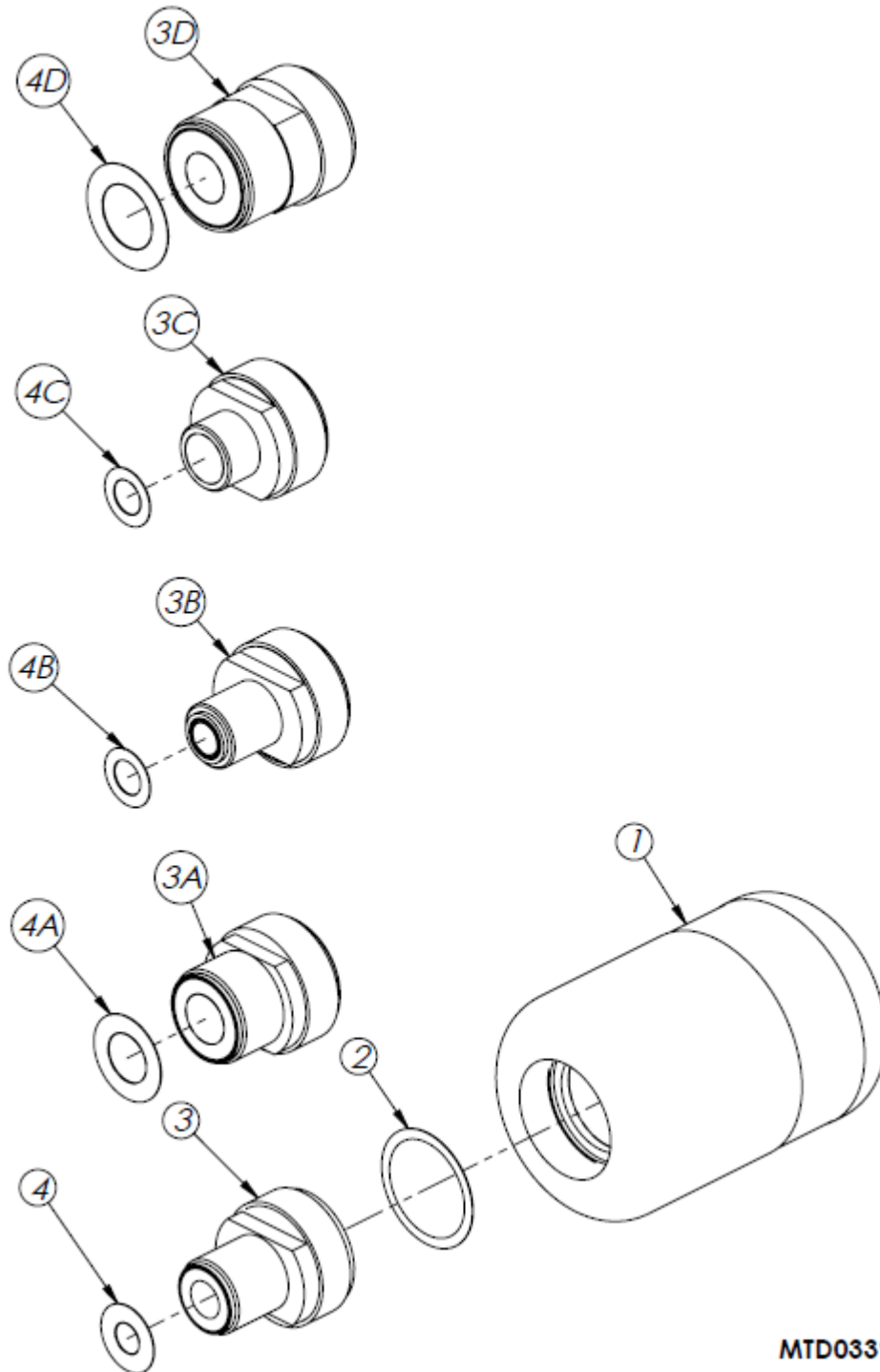
Volume: 50 in³

Limits: Recommended Maximum Operating Air Supply Levels
80 psig up to 100°C, 45 psig above 100°C

Dimensions: 4.5"φ x 8" assembled height (12.8 cm x 20.32 cm)

2 SPARE PARTS

2.1 PARTS ILLUSTRATION



MTD0339

2.2 PARTS LIST

| ILL NO | PART NO | QTY | DESCRIPTION | MATERIAL |
|--------|-----------|-----|----------------------------|----------|
| 1 | 1085C0001 | 1 | Chamber, SS85 | PTFE |
| 2 | U0021 | 1 | Seal, Adapter | PTFE |
| 3 | U0022 | 1 | Reducer, Maxim/610 to SS85 | PTFE |
| 3A | U0023 | 1 | Reducer, 960 to SS85 | PTFE |
| 3B | U0020 | 1 | Reducer, 620 to SS85 | PTFE |
| 3C | U0028 | 1 | Reducer, 1" NPT to SS85 | PTFE |
| 3D | U0030 | 1 | Reducer, 120 to SS85 | PTFE |
| 4 | AM084 | 1 | Seal, 1.380x.63x.02 | PTFE |
| 4A | L0163 | 1 | Seal, 1.75x1.00x.02 | PTFE |
| 4B | AW017 | 1 | Seal, 1.180x.55x.02 | PTFE |
| 4C | AW017 | 1 | Seal, 1.180x.55x.02 | PTFE |
| 4D | BL007 | 1 | Seal, 2.12x1.3x.02 | PTFE |



3 WARRANTY



SS85 SURGE SUPPRESSOR

TREBOR International, Inc. warrants to the purchaser of new equipment manufactured by TREBOR to be free from defects in material and workmanship when used for its intended purpose under normal operating conditions, and maintained according to the Operation/Maintenance Manual.

TREBOR's obligation under this warranty is limited to repairing or replacing, at TREBOR's option and at the TREBOR factory, any part or parts thereof which shall, within 2 years after delivery thereof to the original purchaser, be demonstrated to TREBOR's satisfaction to have been defective. This warranty may be transferred to subsequent owners. The warranty period is based on the original ship date from the factory. All warranty related freight costs shall be borne by the customer.

Excessive wear to pump components caused by pumping abrasive solutions or chemicals, as well as damage caused by ingesting foreign objects shall not be covered by this warranty.

This warranty shall not apply to any equipment which, in the judgment of TREBOR, shall have been repaired or altered outside TREBOR's factory in any way, so as to affect its performance or reliability; subjected to misuse, negligence or accident; or used other than in accordance with TREBOR's printed instructions.

There are no terms, conditions or warranties, expressed, implied or statutory, of merchantability, fitness, capacity, or otherwise, of the goods ordered, other than, or different from, the warranty set forth above. This warranty takes precedence over any other warranty, expressed or implied.

TREBOR neither assumes, nor authorizes any other party to assume for it, any liability in connection with said equipment except as set forth above.